

Datasheet SIM

Applications

- Compressors
- Punches
- Diesel aggregates
- Pumps
- Injection molding machines
- Packaging machines
- Hydraulic and mechanical presses
- Rubber Processing Machinery
- Measuring and testing machines



Dimensions and load values		SIM1-80	SIM2-120	SIM3-160	SIM4-200
Diameter D1	mm	79	119	158	198
Diameter D2	mm	62	101	131	171
Minimum height H1	mm	32	38	55	55
Maximum height H2	mm	45	54	75	75
Adjustment range	mm	13	16	20	20
Thread		M10	M12	M20x1,5	M20x1,5
Alternative thread		M12	M16		
Rubber hardness	Shore A	80°	80°	80°	80°
Spring constant					
Vertical	kN / mm	3,3	7	17	21
Horizontal	kN / mm	1,2	2,5	6	7
Damping factor	C / C _c	0,09	0,09	0,09	0,09
Max. static load	kg	500	1200	3000	4000
Weight without screw	kg	0,5	1,3	2,8	4,6
Price per piece	€	21,98	47,23	86,09	129,93

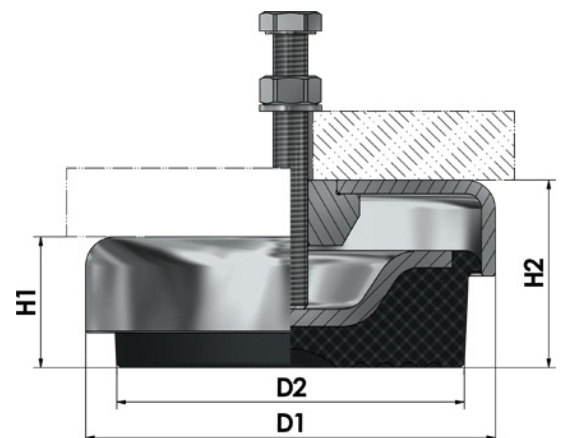
Note: The max. static load value refers to the foot plate. If you have any questions about the load on the foot plates or spindles, please feel free to contact our technical support.

Plate screw H (hexagon head screw, zinc-plated)	€ / piece			
	x 80	x 100	x 150	x 250
M10	1,72			
M12	2,52	2,98		
M16	3,21	3,43	4,13	
M20x1,5			11,10	23,47

Minimum order value:

Order fee of 15,50 €
for an order value less than 50,00 €

Subject to change without notice



Date: July 2022 - prices excl. VAT.